

JANUS REMOTE COMMUNICATIONS

PRODUCT BRIEF

BBU-300 POTSwap™ Battery Back-Up

Description

The BBU-300 (Janus part number MC-0432) is a general purpose 12V DC battery backup module for use with the Janus LTE910PS POTSwap. It is typically used where power continuity must be maintained for short periods of time when standard power is not available. When fully charged, the battery back-up can deliver 300mAh at approximately 9V. The length of time the BBU-300 can deliver this power depends on the current draw of the connected LTE POTSwap.

The BBU-300 is connected in-line with the standard 12VDC power supply for the POTSwap. This charges the battery while at the same time supplying 12VDC power to the POTSwap. If the main power supply should fail, the BBU-300 output voltage drops to approximately 9VDC and can operate the POTSwap while standard power is restored.



Test Runs:

Average hours between two runs each in standby and in-call:

- Standby: 3:18 Hours
- In-call: 0:50 Hour

Features

- Provides Backup Power for the LTE POTSwap
- Power Input: 12VDC
- Power Output: 9-12VDC
- Reverse Polarity Protected
- Standard Barrel Connectors (Female Jacks) (2x) 2.1mm ID x 5.5mm OD
- 12" Output Power Cable included with Barrel Connectors.

Applications

- Waste Water Treatment Plants
- Lift Stations
- Marine telephones
- Mobile office trailers
- Elevator telephones
- Public School Districts

Specifications

- Input: 12VDC, 2A max.
- Output: 12VDC, 2A max. (while input power is present) 9VDC, 500mA max. (while under battery power)
- Reverse Polarity Protection: Yes
- Battery Type: NiMh
- Battery Capacity: 300mAh

Note: Upon installation, the Battery Back-up should be charged for at least eight hours before a full back-up charge becomes available.

2359 Diehl Road
Aurora, IL 60502
630.499.2121
info@janus-rc.com
www.janus-rc.com

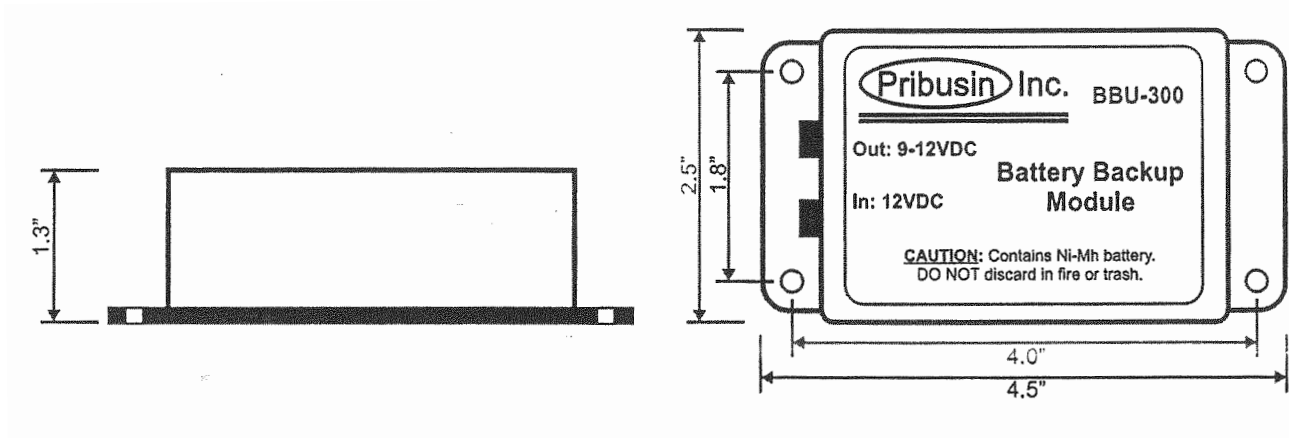
Bulletin **JA16-LTE-BBU**
Revision **02**
Date **11 June 2024**

Manufactured by: Pribusin Inc

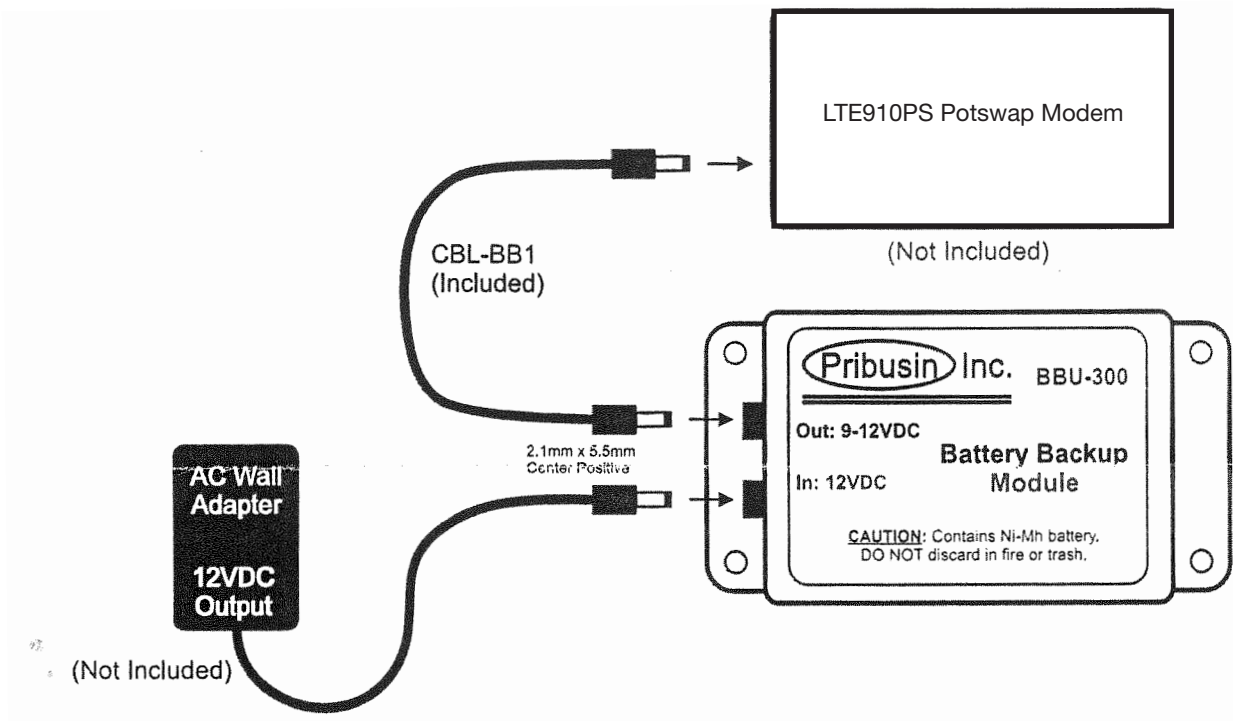


BBU-300 POTSwap™ Battery Back-up - Model # MC-0432

Janus Model MC-0432 Dimensions (BBU-300)



MC-0432 Battery Back-up and POTSwap Connectivity



Revision History

Revision	Revision Date	Note
00	10/29/20	Initial Release
01	12/15/20	Test Notes Added
02	06/11/20	Updated Contact Info

Ordering Information - Model #MC-0432 Battery Back-up

Contact Sales for Additional Special Order Options:
Gordon Olp: golp@janus-rc.com | 630-499-2120

JANUS REMOTE
COMMUNICATIONS

Division of The Connor-Winfield Corporation
2359 Diehl Road • Aurora, IL 60502
630.499.2121 • info@janus-rc.com
www.janus-rc.com

© Copyright 2024 Janus Remote Communications.
POTSwap is a registered trademark of Janus.
All Rights Reserved. *Specifications subject to change without notice*
See website for latest revision. Not intended for life support applications.