

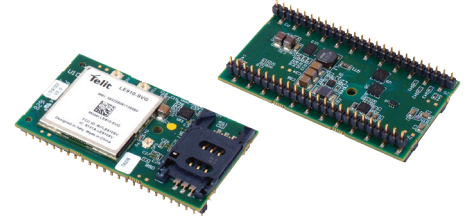
JANUS REMOTE COMMUNICATIONS

P
R
O
D
U
C
T
B
R
I
E
F

CF Plug-In Series LTE910CF Embedded 4G Cellular Modem

Description

The Janus line of Common Footprint (CF) Plug-In modems are footprint compatible, GPS enabled, plug-in terminals for use in GSM/GPRS, EDGE, CDMA, HSPA+, EV-DO, LTE communication networks, and also Wi-Fi connectivity. They were specifically designed to provide customers with cost effective products that are easily integrated into new and existing designs, require limited customer certification resources, and are completely interchangeable to allow for maximum network flexibility while removing the worry of product obsolescence.



The AT&T LTE910CF v1.00 Common Footprint (CF) Plug-In modem is an LTE Category 3 PTCRB and Carrier certified 4G cellular modem. They utilize the Telit LE910-NAG module as their cellular engine. The LTE910CF v1.00 units operate in LTE bands (B17), (B5), and (B2), with fallback to GSM, GPRS, EDGE, UMTS, or HSPA+ networks as needed. End device certification allows users to implement the LTE910CF in their devices with no further North American carrier certification requirements.

The Verizon LTE910CF v3.00 Common Footprint (CF) Plug-In modem is an LTE Category 3 Carrier end device certified 4G cellular modem. They utilize the Telit LE910-SVG module as their cellular engine. The LTE910CF v3.00 units operate in LTE bands (B13) and (B4). End device certification allows users to implement the LTE910CF in their devices with no further North American carrier certification requirements. End device certification allows users to implement the LTE910CF in their devices with no further North American carrier certification requirements.

LTE910CF modems are pin compatible with the full line of Janus CF Plug-In Products.

LTE910CF Features

- Data Rate:
 - LTE: 100.0D/50.0U Mbps
 - HSPA+: 42.0D/5.76U Mbps
 - UMTS: 384.0D/384.0U Kbps
- 2G Bands: GSM 850, PCS1900
- 3G Bands: B5 (850), B2 (1900)
- LTE Bands: B17 (700), B5 (850), B4 (1700), B2 (1900)
- TCP/IP stack access via AT commands
- SMS (MO / MT)
- Output power
 - Class 4 (2W, 33 dBm) @ GSM 850 / 900
 - Class 1 (1W, 30 dBm) @ GSM 1800 / 1900
 - Class 3 (0.25W, 24 dBm) @ UMTS
 - Class 3 (.2W, 23dBm) @ LTE
 - Class E2 (0.5W, 27 dBm) @ EDGE 850 / 900
 - Class E2 (0.4W, 26 dBm) @ EDGE 1800 / 1900
- Dimensions: 2.5" x 1.4" x 0.325"
- Through hole for screw mount
- Operational temperature range: -40°C to 85°C
- Internal Switching Regulator:
 - Input Voltage Range: 4.75 to 5.25Vdc (5Vdc nominal)
 - Supply disable via terminal input pin
- Variable logic level (UART/GPIO)
 - Adjustable from 1.8 - 5.0Vdc
 - Defaults to 2.85v
- SIM Card
 - Locking SIM card socket, Mini (2FF size) SIM
 - Or, Optional SIM on a chip
- Cellular, Rx Diversity & MIMO DL 2x2, and GPS/GLONASS available via Murata GSC miniature RF connector
- GPS
 - Stand alone GPS available at AT command interface
 - NMEA data
 - Dedicated GPS antenna connection w/active antenna support

Applications

Suitable for all M2M Applications

- Fleet Management
- Asset Tracking
- Security Systems
- Telemetry
- Telematics & Telecontrol
- Remote Monitoring Systems
- Remote Meter Reading
- Vending Machines

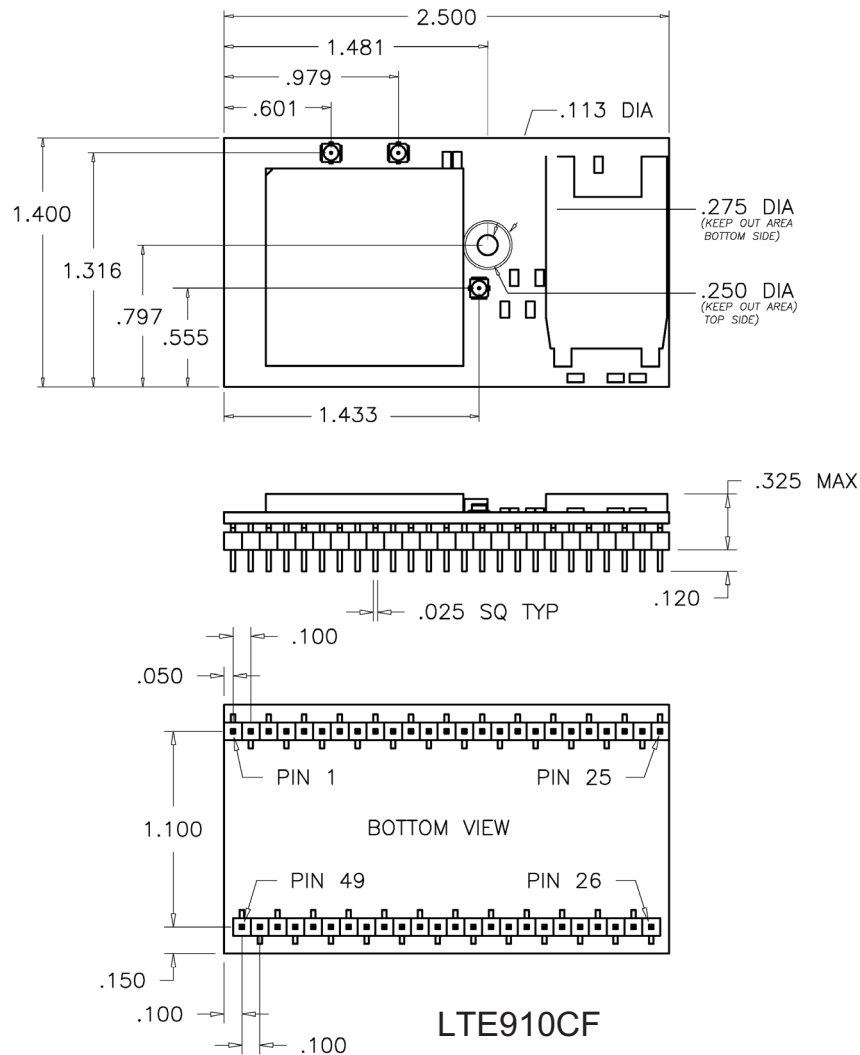
2359 Diehl Road
Aurora, IL 60502
630.499.2121
info@janus-rc.com
www.janus-rc.com

| | |
|----------|---------------|
| Bulletin | JA03-PB_LTE |
| Revision | P07 |
| Date | 12 April 2017 |

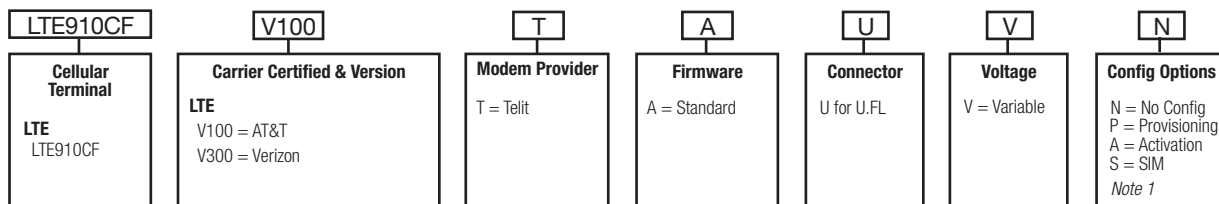


Making machines talk.

LTE910CF CF Plug-In Mechanical Drawings



Ordering Information



Example: Part Number – LTE910CFV100TAUVN = LTE Cellular Plug-In Terminal; AT&T Certified; Telit Modem; Standard Firmware with a U.FL Connector with a Variable Voltage with no configuration options.

Notes:

1. **Config Options:** Provisioning is turning on a device on the network. Activation is assigning MEID's to a customer account. SIM designation is for installation of the SIM

Contact Sales for Additional Special Order Options: Dave Jahr: djahr@janus-rc.com | 630-499-2121

JANUS REMOTE
COMMUNICATIONS

Division of The Connor-Winfield Corporation
2359 Diehl Road • Aurora, IL 60502
630.499.2121 • info@janus-rc.com
www.janus-rc.com



Making machines talk.

© Copyright 2017 Janus Remote Communications. All Rights Reserved
Specifications subject to change without notice
See website for latest revision. Not intended for life support applications.