

# JANUS REMOTE COMMUNICATIONS

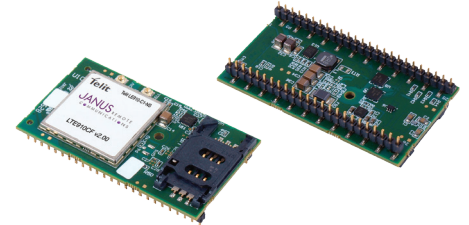
## Sprint Embedded Cellular CF Footprint LTE910CF CAT1 v2.00 Socket Modem

### Description

The Janus line of Common Footprint (CF) socket modems are footprint compatible cellular modems for use in LTE communication networks globally. They are carrier “end device certified” that are easily integrated into new and existing designs. Their “end device” classification allows users to integrate any certified cellular CF modem into their application with no further requirements, allowing for a quick to market solution. The CF modems are interchangeable to allow for maximum network flexibility while removing the worry of product obsolescence.

The **Sprint LTE910CF v2.00** CF socket modem is an LTE Category 1 PTCRB and Carrier certified 4G cellular modem. They utilize the Telit LE910C1-NS module as their cellular engine. The LTE910CF v2.00 units operate in LTE bands B4, B5, B12 and B25. End device certification allows users to implement the LTE910CF in their devices with no further North American carrier certification requirements.

LTE910CF v2.00 modems are pin compatible with the full line of Janus CF socket modem Products.



### LTE910CF CAT1 Features

- Data Rate: LTE: 10D/5U Mbps
- v2.00 Frequency bands (Sprint)
  - LTE Bands: B4 (AWS1700), B5 (850), B12 (700) and B25 (700)
- TCP/IP stack access via AT commands
- SMS (MO / MT)
- Output power: Class 3
  - (0.2W, 23 dBm) @ LTE
- Dimensions: 2.5” x 1.4” x 0.325”
- Operational temperature range: -40°C to 85°C
- Internal Switching Regulator:
  - Input Voltage Range: 4.75 to 5.25Vdc (5Vdc nominal)
  - Supply disable via terminal input pin
- Variable logic level (UART/GPIO)
  - Adjustable from 1.8 - 5.0Vdc
  - Defaults to 2.85v
- SIM Card
  - Locking SIM card socket, Mini (2FF size) SIM
- Cellular, Rx Diversity, MIMO DL 2x2 LGPS/GNSS available via miniature RF connector

*Take the complexity out of designing cellular IoT solutions with Janus Socket Modems.*

### Applications

Suitable for all M2M Applications

- Fleet Management
- Asset Tracking
- Security Systems
- Telemetry
- Telematics & Telecontrol
- Remote Monitoring Systems
- Remote Meter Reading
- Vending Machines

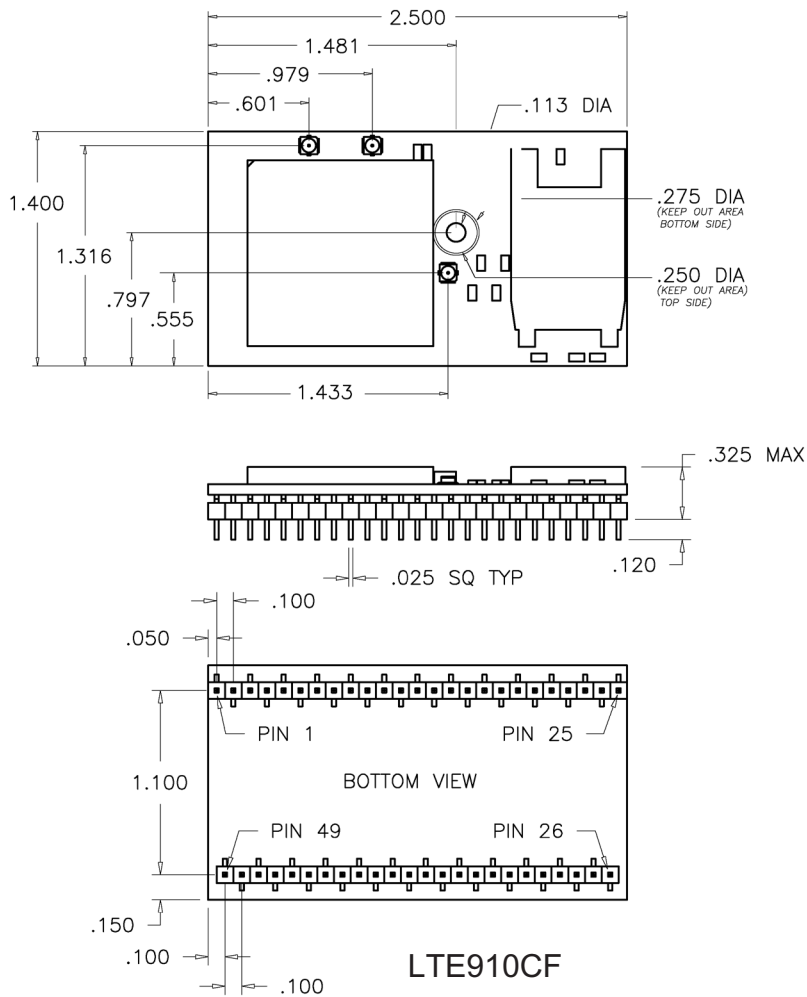
2111 Comprehensive Dr.  
Aurora, IL 60505  
**630.499.2121**  
info@janus-rc.com  
www.janus-rc.com

Bulletin **JA03-PB\_LTE-v2**  
Revision **00**  
Date **16 May 2019**

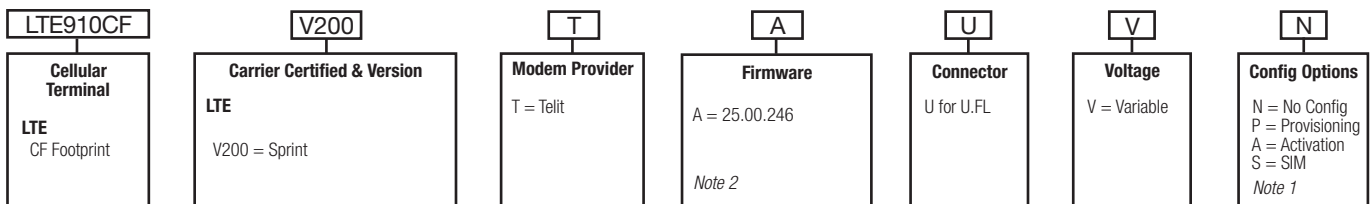


**Making machines talk.**

# LTE910CF CF Socket Modem Mechanical Drawings



## Ordering Information



Example: Part Number – LTE910CFV200TAUVN = LTE Cellular Plug-In Terminal; Sprint Certified; Telit Modem; Standard Firmware with a U.FL Connector with a Variable Voltage with no configuration options.

**Notes:**

1. **Config Options:** Provisioning is turning on a device on the network. Activation is assigning MEID's to a customer account. SIM designation is for installation of the SIM
2. Check with Janus for appropriate firmware version.

Contact Sales for Additional Special Order Options: Dave Jahr: djahr@janus-rc.com | 630-499-2121

## Revision History

Revision	Revision Date	Note
00	05/16/19	Product Brief Release



**Making machines talk.**