

JANUS REMOTE COMMUNICATIONS

P
R
O
D
U
C
T
B
R
I
E
F

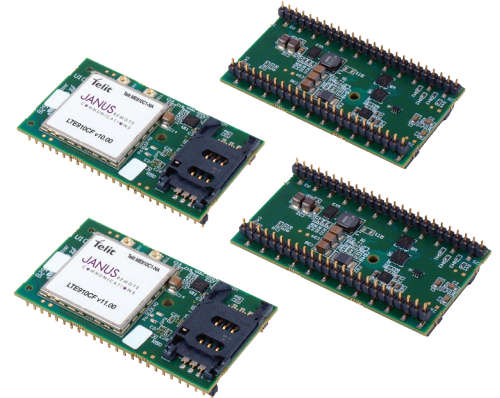
CF Socket Modem Series LTE910CF CAT-M1 Embedded 4G Cellular Modem

Description

The Janus line of Common Footprint (CF) Socket Modems are footprint compatible, some are GPS enabled, plug-in terminals for use in HSPA+ and LTE communication networks, and also Wi-Fi connectivity. They were specifically designed to provide customers with cost effective products that are easily integrated into new and existing designs, require limited customer certification resources, and are completely interchangeable to allow for maximum network flexibility while removing the worry of product obsolescence.

The AT&T LTE910CF v10.00 Common Footprint (CF) Socket Modems are LTE Category M1 PTCRB and Carrier certified 4G cellular modems. They utilize the Telit ME910C1-NA module as their cellular engine. The LTE910CF v10.00 units operate in LTE bands (B2), (B4), (B12) and (B17). End device certification allows users to implement the LTE910CF in their devices with no further North American carrier certification requirements.

The Verizon LTE910CF v11.00 Common Footprint (CF) Socket Modem are LTE Category M1 Carrier end device certified 4G cellular modems. They utilize the Telit ME910C1-NA module as their cellular engine. The LTE910CF 11.00 units operate in LTE band (B13). End device certification allows users to implement the LTE910CF in their devices with no further North American carrier certification requirements.



LTE910CF CAT1 Features

- LTE910CF CAT M1 Features
- Data Rate: LTE: 300D/375U Kbps
- V10.00 Frequency bands (AT&T)
 - LTE Bands: B12/B13(700), B4(AWS1700), B2(1900)
- V11.00 Frequency bands (Verizon)
 - LTE Bands: B13(700)
- TCP/IP stack access via AT commands
- SMS (MO / MT)
- Output power: Class 3 (0.2W, 23 dBm) @ LTE
- Dimensions: 2.5" x 1.4" x 0.325"
- Operational temperature range: -40°C to 85°C
- Internal Switching Regulator:
 - Input Voltage Range: 4.75 to 5.25Vdc (5Vdc nominal)
 - Supply disable via terminal input pin
- Variable logic level (UART/GPIO)
 - Adjustable from 1.8 - 5.0Vdc
 - Defaults to 2.85v
- SIM Card
 - Locking SIM card socket, Mini (2FF size) SIM
- Antenna:
 - Cellular and GNSS antennas
 - U.FL miniature RF connectors
- GNSS
 - Stand alone GPS and GLONASS available at AT command interface
 - A-GPS support
 - NMEA data
 - GNSS antenna connection w/active antenna support

Available in two different versions for North America:

LTE910CF v10.00 TAUVN

(AT&T, T-Mobile, Rogers, Bell, Telus)

LTE910CF v11.00 TAUVN (Verizon)

The LTE910CF is pin compatible with the full line of Janus Socket Modem CF Products.

Applications

Suitable for all M2M Applications

- Fleet Management
- Asset Tracking
- Security Systems
- Telemetry
- Telematics & Telecontrol
- Remote Monitoring Systems
- Remote Meter Reading
- Vending Machines

Take the complexity out of designing cellular IoT solutions with Janus Socket Modems.

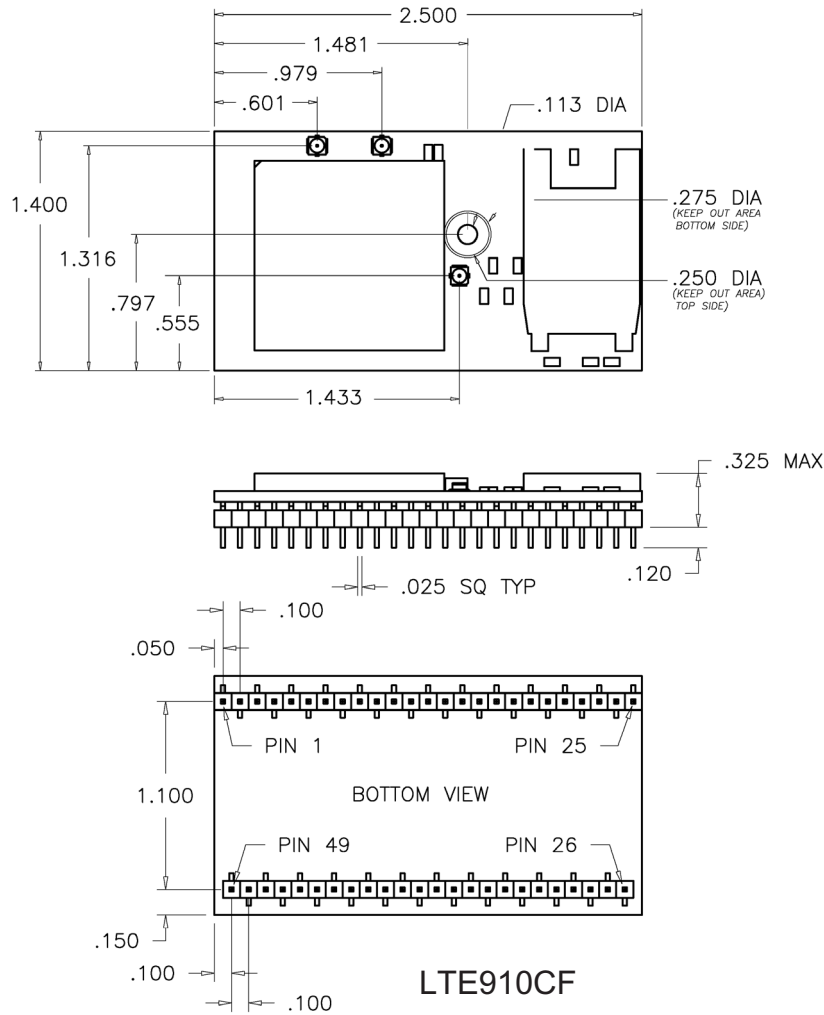
2359 Diehl Road
Aurora, IL 60502
630.499.2121
info@janus-rc.com
www.janus-rc.com

Bulletin **JA03-PB_LTECAT-M1**
Revision **00**
Date **20 Nov 2018**

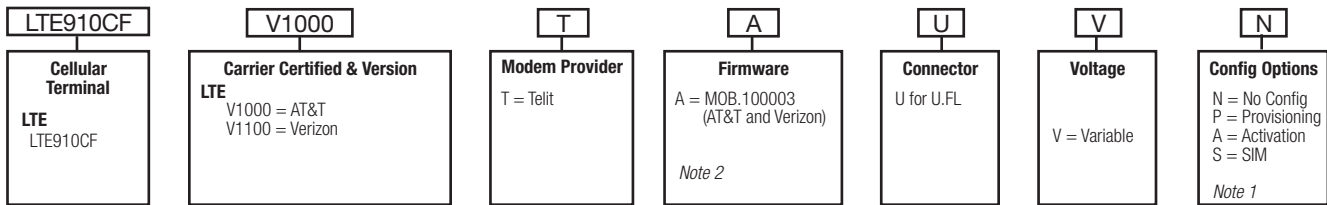


Making machines talk.

LTE910CF CAT-M1 CF Socket Modem Mechanical Drawings



Ordering Information



Example: Part Number – LTE910CFV1000TAUVN = LTE Cellular Plug-In Terminal; AT&T Certified; Telit Modem; Standard Firmware with a U.FL Connector with a Variable Voltage with no configuration options.

Notes:

1. Config Options: Provisioning is turning on a device on the network. Activation is assigning MEID's to a customer account. SIM designation is for installation of the SIM
2. Check with Janus for appropriate firmware version.

Contact Sales for Additional Special Order Options: Dave Jahr: djahr@janus-rc.com | 630-499-2121

Revision History

Revision	Revision Date	Note
00	11/20/18	Initial Product Brief



Division of The Connor-Winfield Corporation
2111 Comprehensive Dr. • Aurora, IL 60505
630.499.2121 • info@janus-rc.com

www.janus-rc.com



Making machines talk.

© Copyright 2018 Janus Remote Communications | Specifications subject to change without notice.
All Rights Reserved | See website for latest revision. | Not intended for life support applications.