

# JANUS REMOTE COMMUNICATIONS

P  
R  
O  
D  
U  
C  
T  
B  
R  
I  
E  
F

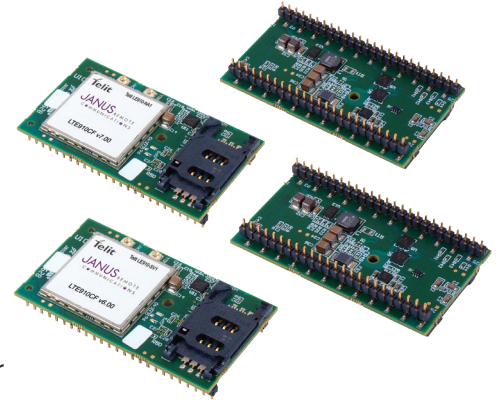
## CF Socket Modem Series LTE910CF CAT1 Embedded 4G Cellular Modem

### Description

The Janus line of Common Footprint (CF) Socket Modems are footprint compatible, some are GPS enabled, plug-in terminals for use in HSPA+ and LTE communication networks, and also Wi-Fi connectivity. They were specifically designed to provide customers with cost effective products that are easily integrated into new and existing designs, require limited customer certification resources, and are completely interchangeable to allow for maximum network flexibility while removing the worry of product obsolescence.

The **AT&T LTE910CF v7.00** Common Footprint (CF) Socket Modem is an LTE Category 1 PTCRB and Carrier certified 4G cellular modem. They utilize the Telit LE910-NA1 module as their cellular engine. The LTE910CF v7.00 units operate in LTE bands (B13), (B12), (B5), (B4) and (B2), with fallback to HSPA+ networks as needed. End device certification allows users to implement the LTE910CF in their devices with no further North American carrier certification requirements

The **Verizon LTE910CF v6.00** Common Footprint (CF) Socket Modem is an LTE Category 1 Carrier end device certified 4G cellular modem. They utilize the Telit LE910-SV1 module as their cellular engine. The LTE910CF v6.00 units operate in LTE bands (B13), (B4), and (B2). End device certification allows users to implement the LTE910CF in their devices with no further North American carrier certification requirements.



### LTE910CF CAT1 Features

- Data Rate: LTE: 10D/5U Mbps
- V6.00 Frequency bands (Verizon)
  - LTE Bands: B2(1900), B4(AWS1700), B13(700)
- V7.00 Frequency bands (AT&T)
  - LTE Bands: B12/B13(700), B5(850), B4(AWS1700), B2(1900)
  - 3G Bands: B5(850), B2(1900)
- TCP/IP stack access via AT commands
- SMS (MO / MT)
- Output power: Class 3
  - (0.2W, 23 dBm) @ LTE
  - (0.25W, 24 dBm) @ WCDMA
- Dimensions: 2.5" x 1.4" x 0.325"
- Operational temperature range: -40°C to 85°C
- Internal Switching Regulator:
  - Input Voltage Range: 4.75 to 5.25Vdc (5Vdc nominal)
  - Supply disable via terminal input pin
- Variable logic level (UART/GPIO)
  - Adjustable from 1.8 - 5.0Vdc
  - Defaults to 2.85v
- SIM Card
  - Locking SIM card socket, Mini (2FF size) SIM
  - Or, Optional SIM on a chip
- Cellular, Rx Diversity & MIMO DL 2x2 available via miniature RF connector

Available in two different versions for North America:

LTE910CF v6.00 TAUVN (Verizon)

LTE910CF v7.00 TBUVN (AT&T, T-Mobile, Rogers, Bell, Telus)

*The LTE910CF is pin compatible with the full line of Janus Socket Modem CF Products.*

### Applications

Suitable for all M2M Applications

- Fleet Management
- Asset Tracking
- Security Systems
- Telemetry
- Telematics & Telecontrol
- Remote Monitoring Systems
- Remote Meter Reading
- Vending Machines

*Take the complexity out of designing cellular IoT solutions with Janus Socket Modems.*

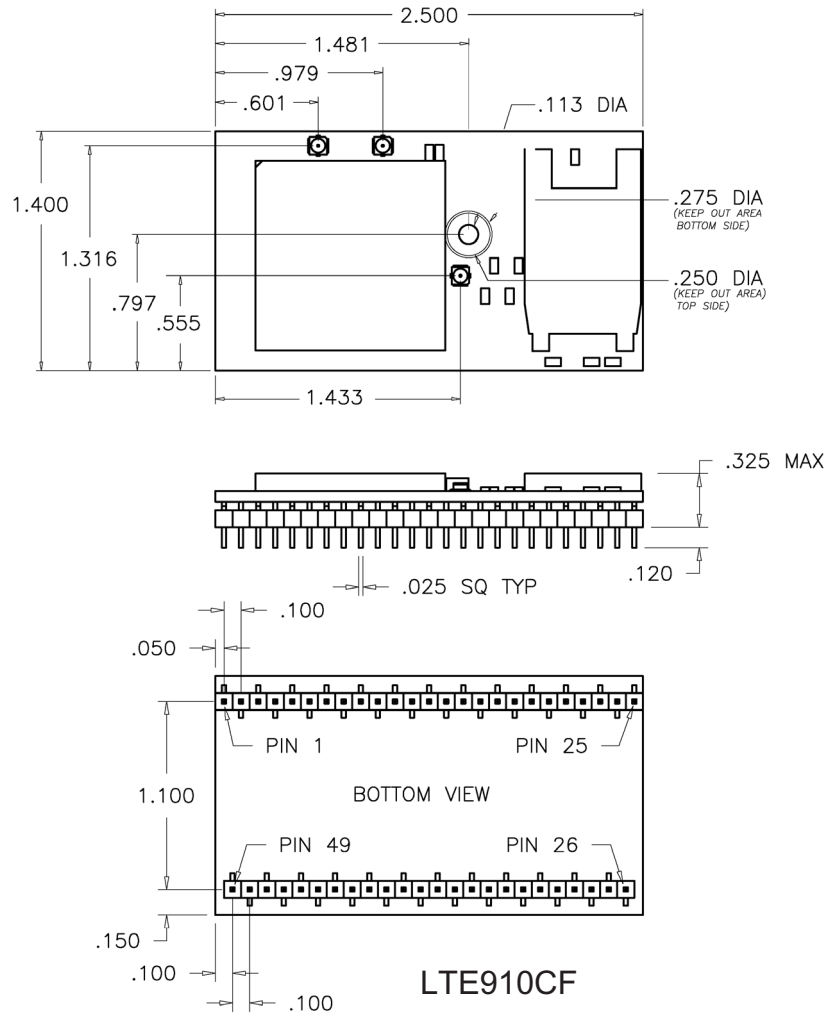
2111 Comprehensive Dr.  
Aurora, IL 60505  
**630.499.2121**  
info@janus-rc.com  
www.janus-rc.com

Bulletin **JA03-PB\_LTECAT1**  
Revision **04**  
Date **18 Oct 2018**

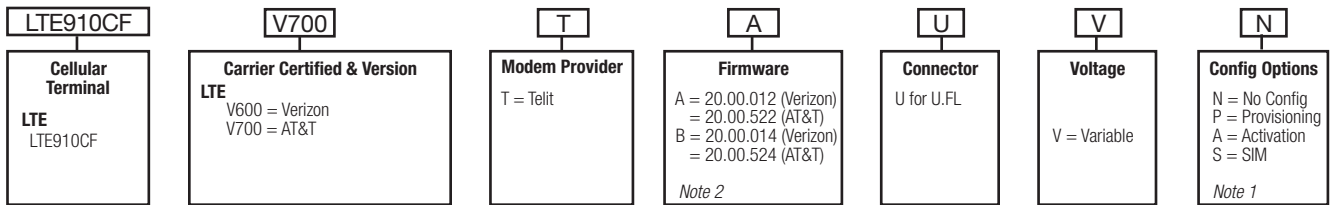


Making machines talk.

## LTE910CF CAT1 CF Socket Modem Mechanical Drawings



### Ordering Information



Example: Part Number – LTE910CFV700TAUVN = LTE Cellular Plug-In Terminal; AT&T Certified; Telit Modem; Standard Firmware with a U.FL Connector with a Variable Voltage with no configuration options.

**Notes:**

1. *Config Options: Provisioning is turning on a device on the network. Activation is assigning MEID's to a customer account. SIM designation is for installation of the SIM*
2. *Check with Janus for appropriate firmware version.*

**Contact Sales for Additional Special Order Options: Dave Jahr: djahr@janus-rc.com | 630-499-2121**

### Revision History

Revision	Revision Date	Note
P00	08/30/16	Initial Product Brief
P01	03/15/17	Updated Connector and Voltage Information
P02	04/12/17	Updated Telit Modules
P03	05/30/18	Updated Module Version and Descriptions
04	10/18/18	Updated Firmware Ordering Information

**JANUS** REMOTE COMMUNICATIONS

Division of The Connor-Winfield Corporation  
2111 Comprehensive Dr. • Aurora, IL 60505  
630.499.2121 • info@janus-rc.com

[www.janus-rc.com](http://www.janus-rc.com)



**Making machines talk.**

© Copyright 2018 Janus Remote Communications | Specifications subject to change without notice. All Rights Reserved | See website for latest revision. | Not intended for life support applications.