

## PRODUCT/PROCESS CHANGE NOTIFICATION (PCN)

**Number:** 1611-1  
**Date:** 11/16/2016  
**From:** Dave Jahr  
**Product Family:** 400AP Enclosure Change  
**Effective Date:** 1/1/2017

---

### Reason for Change:

Janus has experienced several supply chain issues with regard to the current 400AP metal enclosure. As a result, Janus decided to source the 400AP enclosures and end panels from a different qualified vendor. The change will take effect immediately and will affect all 400AP products being shipped starting January 1, 2017.

**Change Category:** 400AP Product Enclosure change.

**Executive Summary:** A change will be implemented to purchase 400AP metal enclosures from a new qualified supplier due to recurring supply chain issues with the existing supplier. The new extruded enclosures will include mounting flanges with notches as part of the assembly — Instead of separate flanges offered as accessories to the existing enclosure. The new front and back panels and all labeling will remain the same. See Attached Drawings.

**Component:** 400AP Metal Enclosure and end panels.

### Products Affected:

1. CDMA400AP
2. EVDO400AP
3. HSPA400AP
4. LTE400AP

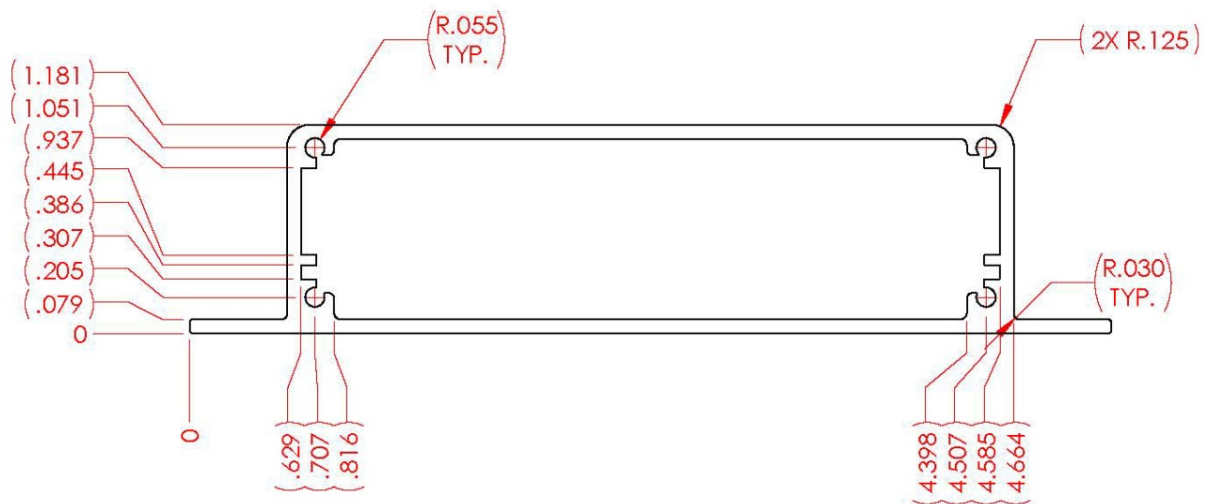
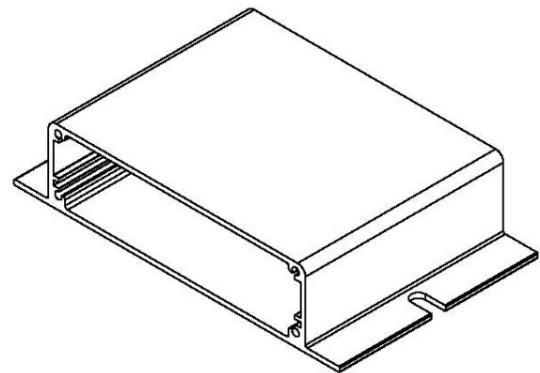
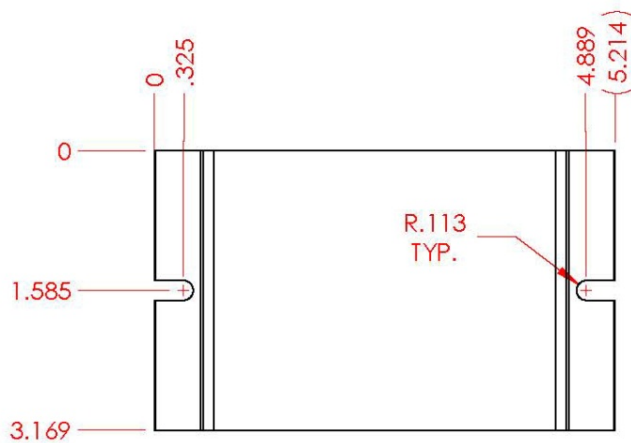
**Details and Effect on Product Performance:** No impact to product performance.

**Process changeover completion:** 1/1/17.

**Janus Contact Person:** Dave Jahr, General Manager, Telephone: 630-499-2124

**Number: 1611-1**  
**Date: 11/16/2016**  
**From: Dave Jahr**  
**Product Family: 400AP Enclosure Change**  
**Effective Date: 1/1/2017**

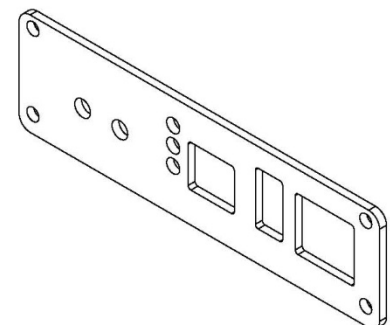
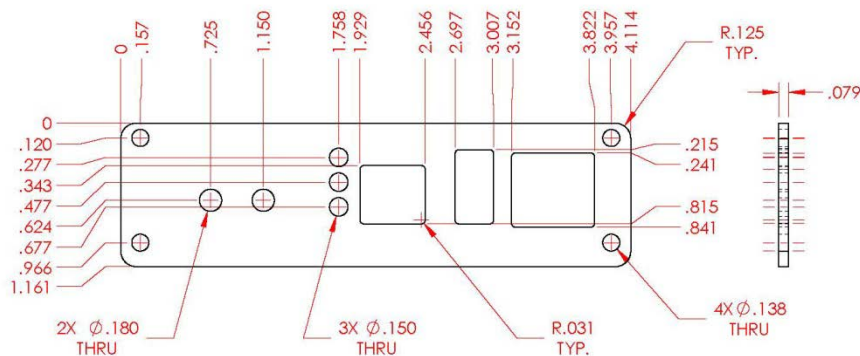
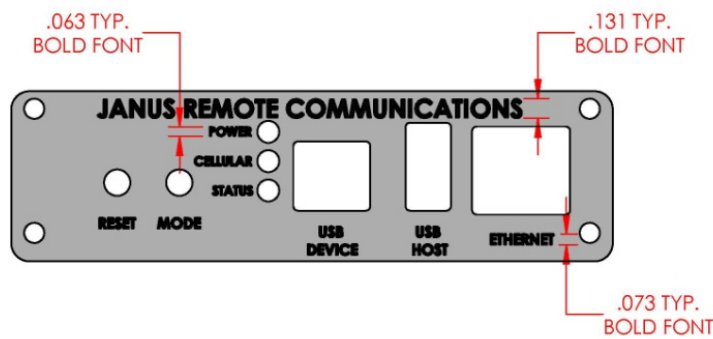
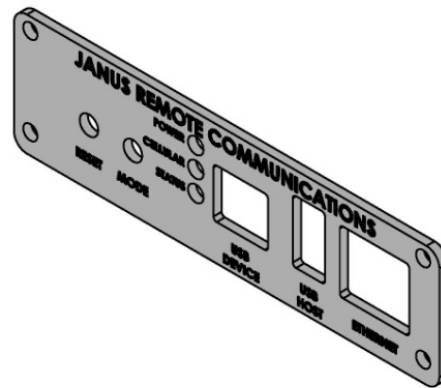
**New 400AP Enclosure:**



**\*\*SEE DRAWING 14101615196\_001 FOR EXTRUSION DIMENSIONS & TOLERANCING\*\***

**Number: 1611-1**  
**Date: 11/16/2016**  
**From: Dave Jahr**  
**Product Family: 400AP Enclosure Change**  
**Effective Date: 1/1/2017**

**New 400AP Front Panel:**



**Number: 1611-1**  
**Date: 11/16/2016**  
**From: Dave Jahr**  
**Product Family: 400AP Enclosure Change**  
**Effective Date: 1/1/2017**

**New 400AP Back Panel:**

